

:: Tung Shung

Conventional PS Plate Processor (Submersion Type)

CONSISTENT QUALITY

USER-FRIENDLY



ROBUST
DESIGN

AUTOMATIC
FEATURES
INTELLIGENT

Featuring

- :: Built in Plate Counter
 - :: Full Electronic Controls
 - :: Intelligent Level Sensor
 - :: Rewash & Regum Facilities
 - :: Tools-free Roller Maintenance
 - :: Advanced Power Sharing System
 - :: Automated Developer Repl. System
 - :: Developer Filter (*environmentally safe*)
 - :: Intelligent Developer Brush Pressure Adjustment
- Keep track of plates developed automatically
 - Easy and time saving pre-set functions
 - Fully automatic replenishment system
 - Rewash & Regum as standard features
 - Replacement and maintenance made easy and fast
 - Artfully actuate developer and dryer heater separately
 - Consistent quality at all times
 - Dirty particles and impurities screened out
 - Consistent brush pressure is assured

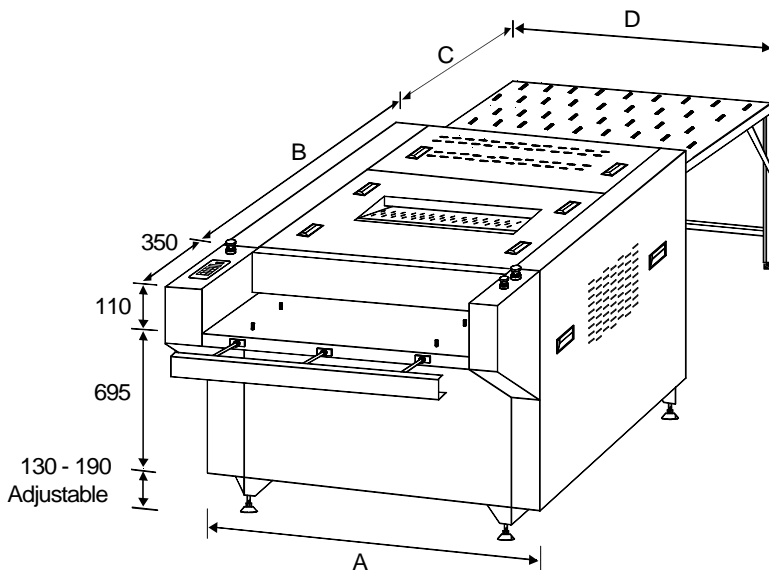
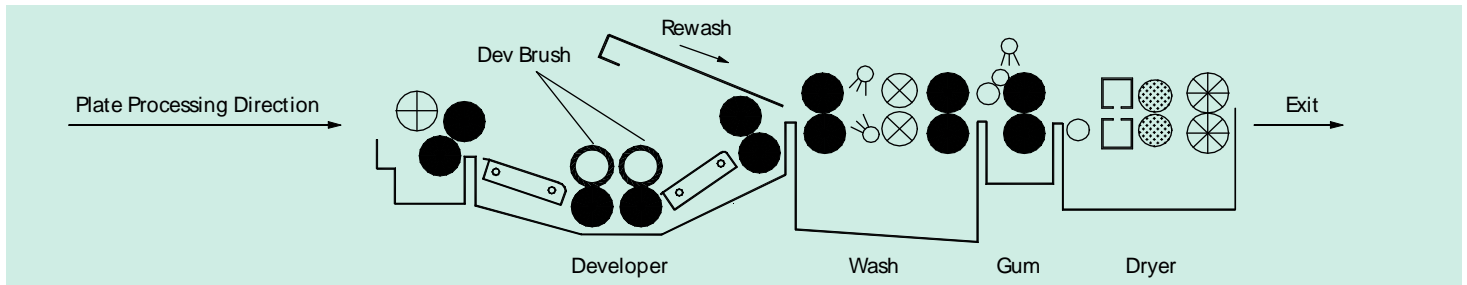
:: Tung Shung

Conventional PS Plate Processor (Submersion Type)

:: Technical Information

	66PSBN	88PSBN	110PSBN	130PSBN
Plate Width (Min)	25cm	25cm	25cm	25cm
Plate Width (Max)	66cm	88cm	110cm	130cm
Plate Length (Min)	40cm	40cm	40cm	40cm
Plate Thickness	0.12-0.4mm	0.12-0.4mm	0.12-0.4mm	0.12-0.4mm
Tank Capacity (Dev)	32 litres	42 Litres	51 litres	60 litres
Dev Time Range	15-50 sec	15-50 sec	15-50 sec	15-50 sec
Dev Temperature Range	18°-43°C	18°-43°C	18°-43°C	18°-43°C
Dry Temperature Range	30°-60°C	30°-60°C	30°-60°C	30°-60°C
Power Consumption	10A (2.2KW)	10A (2.2KW)	10A (2.2KW)	20A (4.4KW)
Net Weight	225kgs	260kgs	320kgs	390kgs
Machine Gross Weight	345kgs	390kgs	460kgs	565kgs
Shipping Dimension (LxWxH) in cm	170x120x118	170x145x118	170x165x118	185x190x118
Standard Accessories	Developer Filter	Rewash Function	Emergency Stop Button	
Optional Accessories	Adjustable Dev Brush Speed Controller Replenishment Tank with Trolley		Developer Chiller Unit Deluxe Mobile Stacker	

The Design and Specifications Are Subject to Change Without Prior Notice.



:: Dimension

	A	B	C	D
66	1,050	1,090	750	710
88	1,270	1,090	900	930
110	1,490	1,240	1,000	1,150
130	1,690	1,240	1,080	1,350

All measurement unit in mm